

# DSK multi-button pendant switch

for controlling hoists and machines



27193



27466

# DSK control pendant switch

Direct or contactor control, high switching capacity, ergonomically styled housing

DSK multi-button control pendants are manually operated switches for controlling machines and, more particularly for controlling lifting appliances from the floor.

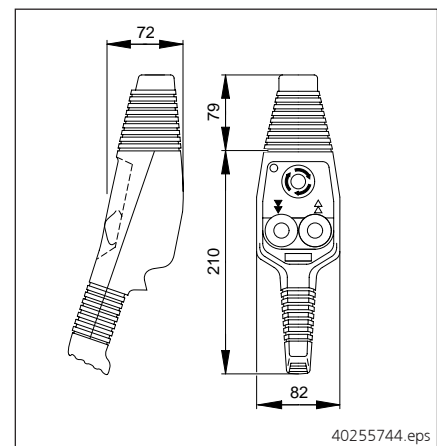
- The sloping housing of the pendant switch permits operators to work in a natural position, reducing fatigue.
- Easy operation due to ergonomical design.
- Movements in opposite directions are prevented from being switched on simultaneously due to mechanical interlocking of switching elements.



27191

- Winner of Industrial Design Award.
- CBDN (emergency stop) switching element without jump function, with automatic disconnection of normally closed contacts.
- Direct control for drives up to 5.5 kW.
- For direct control, 2-pole switching by simultaneous operation of snap contacts.
- Separate design for direct and contactor control.
- Housing of high-quality thermoplastic, high shock and impact resistance.
- Protective insulation acc. to DIN VDE 0100 part 410, section 413.2.
- Actuator travel and actuating forces to DIN 33401, retention force < 8 N.
- Standard IP enclosure acc. to DIN VDE 0470 part 1 and EN 60529 IP 55 when "suspended", IP 65 on application.

- Flame-resistant, climate and corrosion-proof housing.
- Resistant to fuels, salt water, grease, oil and alkaline solutions.
- Permissible ambient temperatures: rubber and thermoplastic parts -25 °C to +70 °C.
- Standard strain relief by means of special hose, by wire cord with additional sleeve to protect against kinking.



40255744.eps

## Power current switching elements

Type	CBD 1	CBD 2	CBDN
Design	Single-stage switching element 2 NO	Double-stage switching element, 2 NO for the 1st step, 2 change-over contacts for the 2nd step	Single-stage crane switch (emergency-stop), 3 NC
Nominal operating voltage V~	230	400 500	230 400 500
Nominal operating current A	20	12 9	I <sub>th</sub> 2 25
Category acc. to DIN VDE 0660/EN 60947 Main current	AC3, AC4	AC3, AC4	For switching capacity up to 5.5 kW
Nominal insulation voltage	U <sub>i</sub> 500 V~ to DIN VDE 0110, CSA 300 V AC		

## Control current switching elements

Type	CBS 1	CBS 2
Design	Single-stage switching element 2NO	Double-stage switching element, 2 NO for the 1st step, 1 NO for the 2nd step
Nominal operating voltage V~	230 400 500	230 400 500
Nominal operating current A	10 6 4.5	10 6 4.5
Category acc. to DIN VDE 0660/EN 60947 Main current	AC15	AC15
Nominal insulation voltage	U <sub>i</sub> 500 V~ to DIN VDE 0110, CSA 150 V AC	

## Demag Cranes & Components GmbH

P.O. Box 67 · D-58286 Wetter  
 Telephone (+492335) 92-0 · Telefax (+492335) 927676  
 e-mail [handling@demagcranes.com](mailto:handling@demagcranes.com)  
[www.demagcranes.com](http://www.demagcranes.com)